

Installation Instructions

For M1 Furnace Series

Conversion from Robertshaw to Honeywell Valve

IMPORTANT: Read these instructions before beginning the conversion of the appliance.

⚠ WARNING:

This conversion kit is to be installed by a qualified service technician in accordance with these instructions and all codes having jurisdiction. Failure to follow these instructions could result in serious injury, property damage, or death. The qualified service technician performing this work assumes responsibility for this conversion.

Turn Off Fuel Supply to the Furnace

1. Set the room thermostat to "OFF" or its lowest temperature setting.
2. Turn OFF the gas supply to the appliance at the main gas valve, outside the appliance casing.
3. Turn OFF the electrical power to the appliance.
4. Remove the control access panel/louvered door.
5. Move the furnace gas valve to the "OFF" position.

Converting the Gas Valve

1. Remove the wires from the terminals of the gas valve.
2. Disconnect the ignitor wires at the 2-pin plug.
3. Remove supply gas piping from the gas valve.
4. Remove the gas valve bracket by removing the screws from the burner plate and the gas valve.
5. Plug the screw hole with the screw removed in step 4 (See Figure 1).
6. Remove the gas valve from the burner plate.
7. Remove the gas spud assembly and the 90 degree street elbow from the old gas valve.
8. Assemble the Honeywell elbow flange (#624612) on the new gas valve outlet as instructed in the Honeywell kit manual. The orientation of the gas outlet is shown in Figure 1.
9. Install the gas orifice spud assembly (removed in step 7) to the Honeywell elbow flange.
10. Install the 90 degree street elbow on the valve taken from the old gas valve in step 7.
11. Mount the gas valve bracket on the inlet of the gas valve using the two 8-32x1/4 screws, as shown in Figure 1.
12. Remove the two screws from the burner plate as shown Figure 1.
13. Install the gas valve assembly using the same burner plate holes with the two screws removed in step 12.
14. Reconnect the ignitor and gas valve wires, and the gas valve supply piping.
15. Turn ON the electric power to the unit.

16. Turn ON the main gas supply to the unit at the manual shut-off valve, which is located outside of the unit.
17. Move the gas valve to the "ON" position.
18. Set the thermostat to its highest temperature setting.

2. Check all gas valves and connections for leaks with soap and water solution. If the solution bubbles, there is a gas leak which must be corrected before starting the furnace.
3. Run the furnace through a few cycles to assure proper operation using the procedure outlined in the installation instructions originally provided with the unit.
4. Install the control access panel/louvered door.
5. Set the thermostat at the temperature desired.

Completing the Conversion

1. Set the gas manifold pressure at the same pressure as shown on the rating plate on the furnace. Note: For the high altitude unit, refer to the high altitude conversion label on the unit for the manifold pressure.

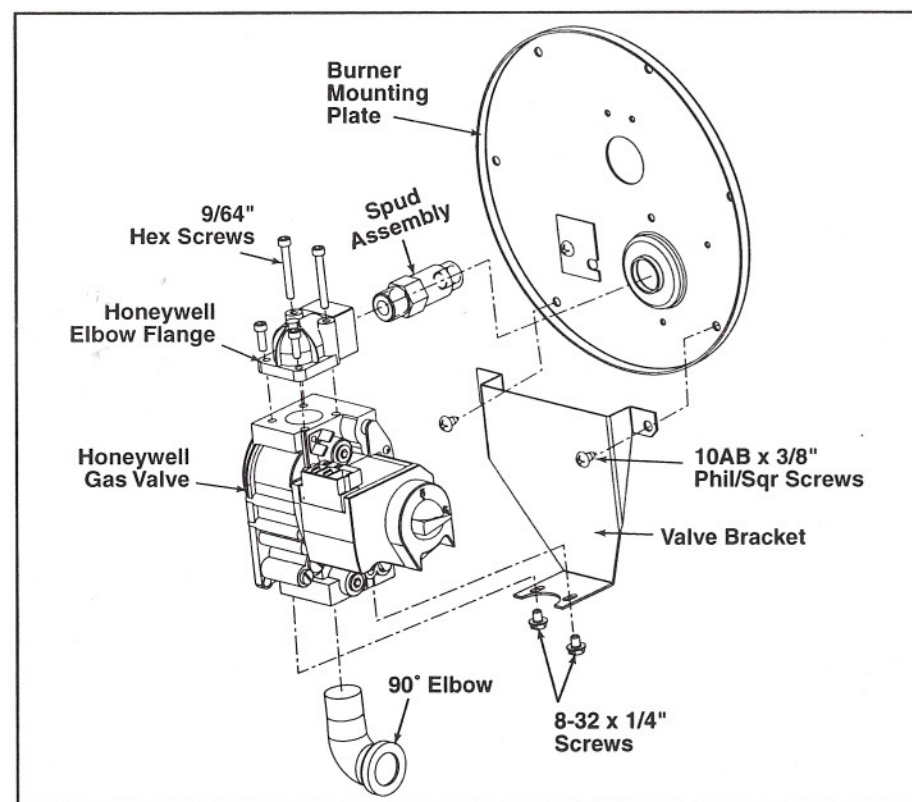


Figure 1. Burner Assembly

